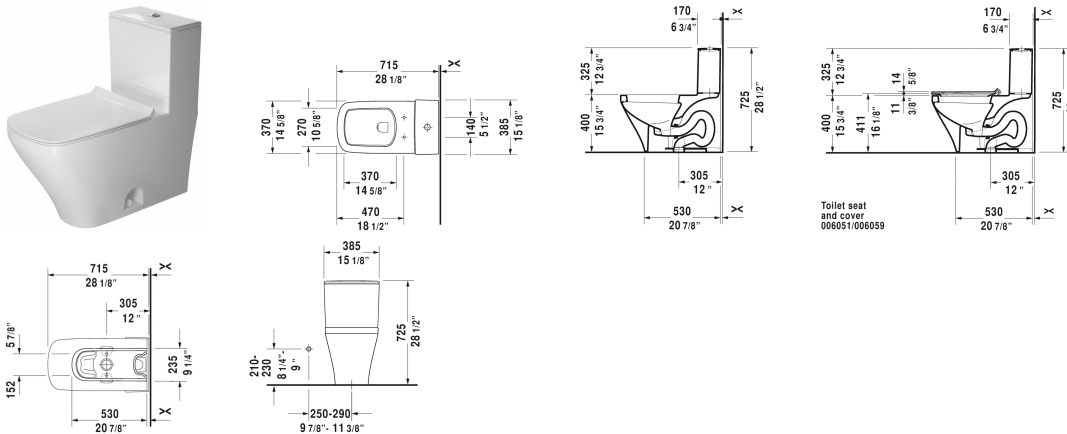


**DuraStyle One-Piece toilet # 215701..05 / 215701..85 / 215701..05 / 215701..85**

< 14 5/8" Inch >



One-Piece toilet	Dimension	Weight	Order number
syphonic, 12" rough-in, vertical outlet, cUPC® listed*			
<b>Colors</b>			
00 White 20 HygieneGlaze (an antibacterial ceramic glaze that provides almost indefinite effectiveness)			
<b>Variant</b>			
◆ 1.32/0.92 gpf, with dual flush piston valve, top flush	14 5/8" x 28 3/8" Inch	121.3 lb	215701..05
◆ 1.28 gpf, with single flush piston valve, top flush	14 5/8" x 28 3/8" Inch	121.3 lb	215701..85
◆ 1.32/0.92 gpf, with dual flush piston valve, top flush	14 5/8" x 28 3/8" Inch	121.3 lb	215701..05
◆ 1.28 gpf, with single flush piston valve, top flush	14 5/8" x 28 3/8" Inch	121.3 lb	215701..85
Sanitary ceramics with the special WonderGliss surface finish will remain clean and attractive-looking for a long time to come. When ordering WonderGliss please add a "1" as eleventh digit to the model number.			
Mounting set for One-Piece and Two-Piece toilets, outlet 3/8" - male thread, wall connection 1/2" - female thread, 1/2", North American version	17 3/4" Inch	1.1 lb	001417
<b>Suitable products</b>			
Toilet seat and cover removable, elongated, hinges stainless steel, without slow close,			006051
Toilet seat and cover removable, elongated, hinges stainless steel, with slow close,			006059

All drawings contain the necessary measurements which are subject to standard tolerances. They are stated in inch & mm and are non-binding. Exact measurements, in particular for customized installation scenarios, can only be taken from the finished ceramic piece.

**DuraStyle One-Piece toilet # 215701..05 / 215701..85 /  
215701..05 / 215701..85**

---

|< 14 5/8" Inch >|